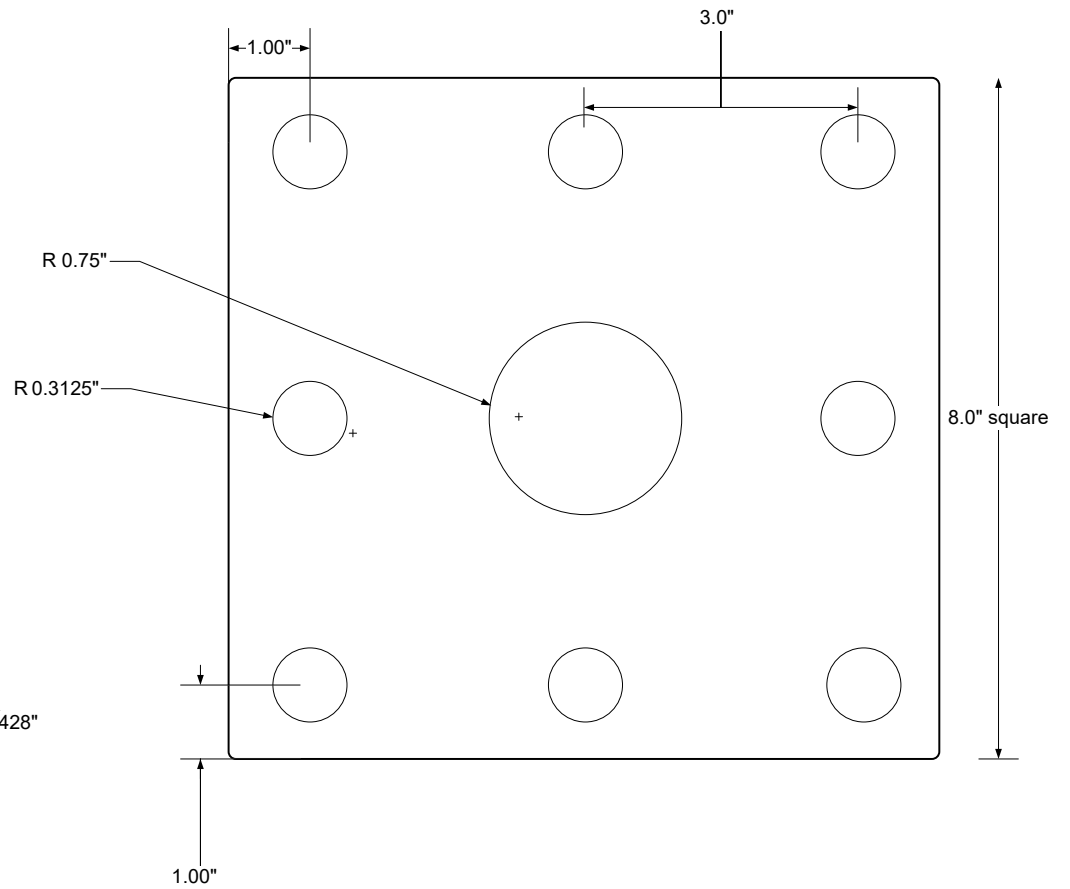
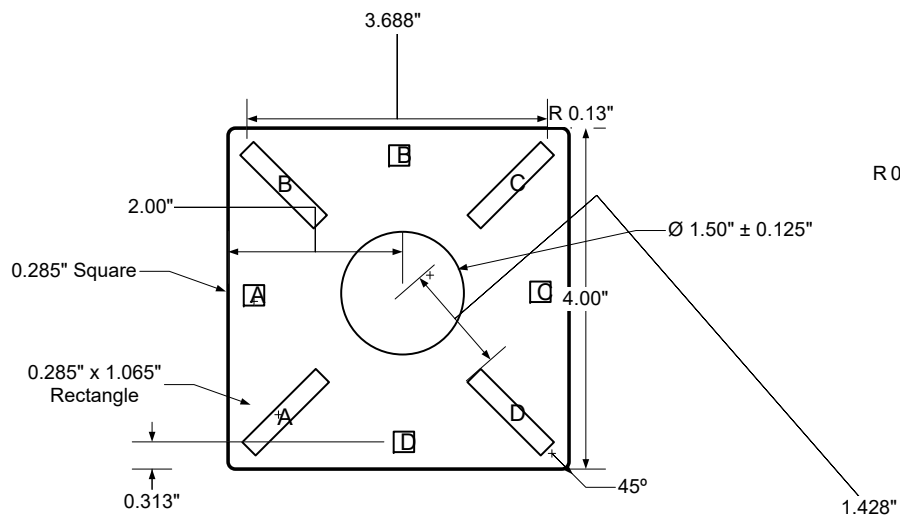


PART NO.: UPM2 42" LOWER ARM, 72" UPPER ARM DOUBLE VERTICAL PEDESTAL MOUNTING POST		PACH AND COMPANY INC.			
SIZE	FSCM NO	DWG NO	REV		
		1	1.0		
SCALE		SHEET	1 OF 2		



PART NO.: UPM2 42" LOWER ARM, 72" UPPER ARM DOUBLE VERTICAL PEDESTAL MOUNTING POST		PACH AND COMPANY INC.			
		SIZE	FSCM NO	DWG NO	REV
				1	1.0
SCALE		SHEET		2 OF 2	