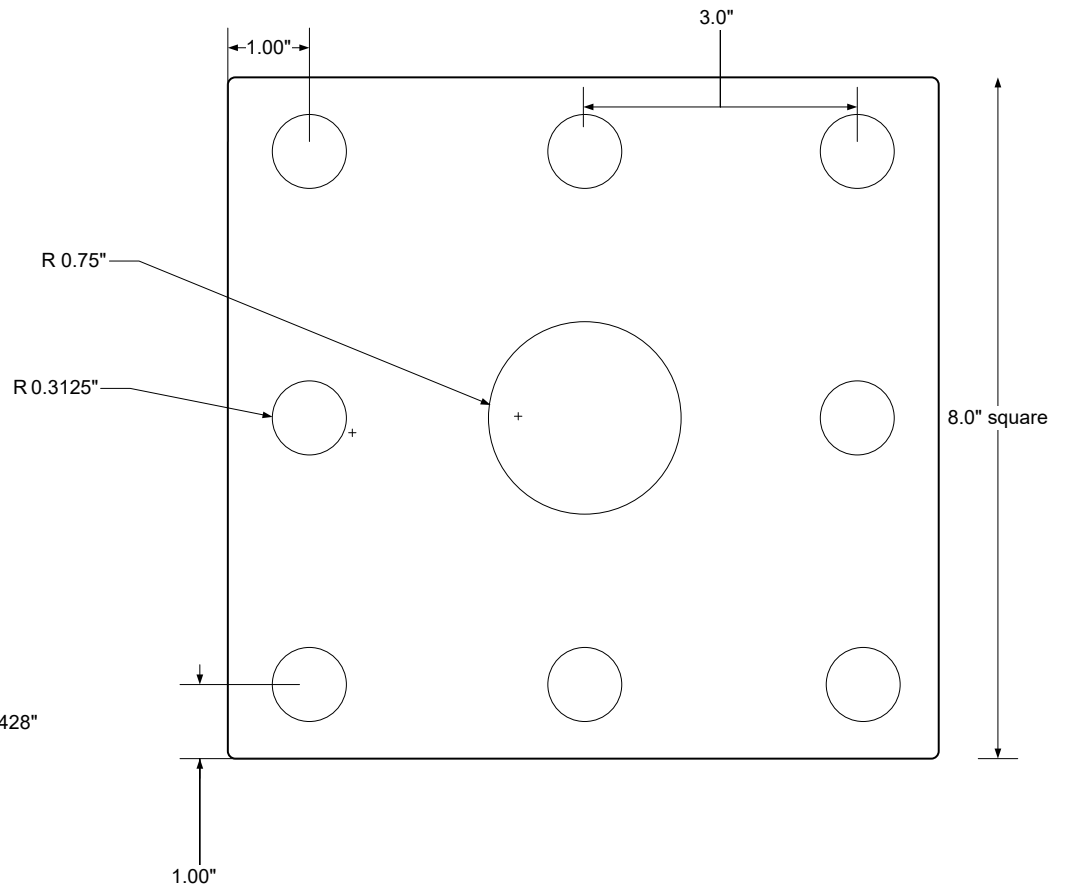
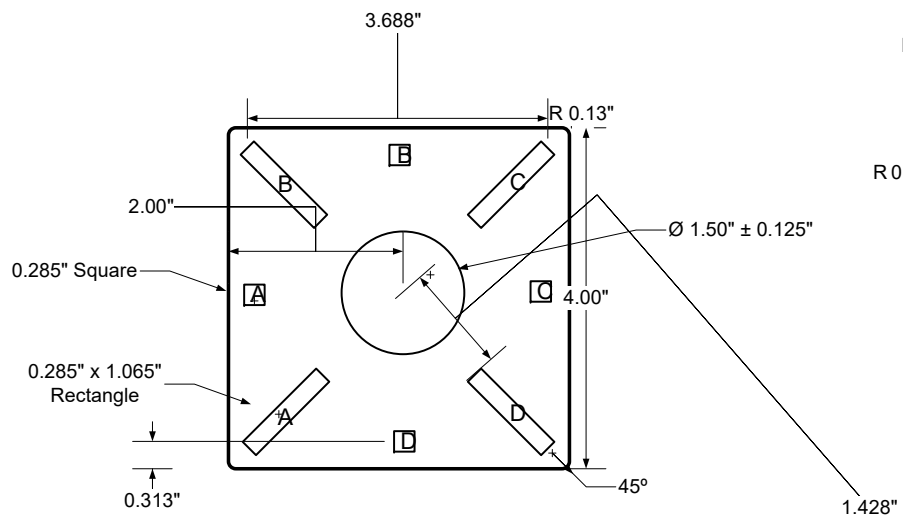


PART NO.: UPM5 42 INCHES HORIZONTAL DUAL ARMS PEDESTAL MOUNTING POST		PACH AND COMPANY INC.			
SIZE	FSCM NO	DWG NO	REV		
		1	1.0		
SCALE		SHEET		1 OF 2	



PART NO.: UPM5 42 INCHES HORIZONTAL DUAL ARMS PEDESTAL MOUNTING POST	PACH AND COMPANY INC.			
	SIZE	FSCM NO	DWG NO 1	REV 1.0
SCALE	SHEET		2 OF 2	