

*	Exit program, cancel call	23	Lock-out Count
#	Save program	24	Alarm 0= disable 1= local beep for 60 seconds 2= disable system for 60 seconds with no beep 3= call directory (0-9)
00	Change master code (0000 is default)	25	Keypad beep 0= disable (default) 1=enable
01	Add new forwarding tenant's directory	26	Door beep 0= disable 1= enable (default)
02	Edit existing tenant's directory	27	Talk time (060-240 second). Default=60 second
03	Delete existing tenant's directory	28	Unlock relay1 time (12-99 second). Default=12 second
04	Clear all forwarding tenant's directory	29	Unlock relay2 time (12-99 second). Default=12 second
05	Enable/Disable Call	33	Temporary code
06	New access code	34	Special code
07	Delete access code	35	Temporary card
08	Clear all access code	36	Special card
09	Access code digit (4-8 digit). Default is 4-digit	38	System acknowledge (0-9). Default= 3
10	Add new card	39	Remote access 0= disable 1=enable (default)
11	Delete card	40	DTMF relay 1 (0-9). Default=9
12	Clear all card	41	DTMF relay 2 (0-9). Default=8
13	Set time	42	Relay 2 Mode 1= door control (default) 2= relay 2 trigger simultaneously as relay 1 3= enable if function code 24 is enable 4= turn relay 2 on and off On=7, Off=6
14	Set date	43	DND: do not disturb time zone (0-9)
15	Initializing event recording	44	Disable Time zone relay 1, 2 or both
16	AUS= auto unlock schedule (0-9 schedule)	45	Relay 1 and 2 unlock timer
17	TMZ= time zone. 20 TMZ, 00-20.	46	Firmware version
18	HLD= holiday zone. 20 HLD, 1-20	48	PBX enable. Default=disable
19	Directory digit (2-4 digit). Default is 2-digit	49	Edit Access code
20	AUXIN1 0= disable (default) 1= enable control by relay 1 open interval 2= relay 1 control by AUXIN1	50	Erase the memory to factory default
21	AUXIN2 0= disable (default) 1= enable control by relay 2 open interval 2= relay 2 control by AUXIN2	51	Welcome screen
22	Do not disturb 0= disable (default), 1= enable		

OPERATION

Two ways call from the system

- Press **3** to scroll name from A-Z or **6** to scroll name from Z-A then press ***** to call name selected.
- Press **#** wait for dial tone then press the directory number

QUANTUM

QVOIP SERIES VOICE OVER IP BROWSER PROGRAMMABLE

QUICK GUIDE



- Missing Parts, contact Pach and Company 1-888-678-7224
- Defective system under manufacturer warranty, call 1-888-678-7224 for advance replacement
- [24 Months warranty](#) for complete system
- [6 Months warranty](#) for Printed Circuit Board
- [Manuals are available online at www.pach-co.com](http://www.pach-co.com)



Log on to programming: Press **0**

and ***** simultaneously then release, the welcome message will stop scrolling (repeat if screen still scrolls) enter 4-digit **"MASTER CODE"** (0000 is default), the screen will show:

Select Func: _ _

Select the **"Function Code"** from the table

OPERATION

Opening the door remotely press **9** (relay 1) or **8** (relay 2)

Opening the door with the access code press ***** (display screen will stop scrolling) then press a valid 4-digit access code.

Extending talk time tenant must press ***** from the phone after the time out warning beep.

Calling into the system:

1. Enable function code 39 and function code 38 must be set 1-9
2. Call the system phone number, hear one beep if the system answering the call.
3. Press ***** then 4-digit master code, hear one short beep
4. Press ***** to establish two way communication
5. Press **9** or **8** to release the door.

QC1IP and QC2IP DEFAULT IP

IP: 192.168.1.230

SUBNET: 255.255.255.0

GATEWAY: 192.168.1.1

DNS: 192.168.1.1

USERNAME: Administrator

PASSWORD: 8888

WARNING: DO NOT USE ON BOARD 12VDC and GND TO POWER A DOOR STRIKE OR MAGNETIC LOCK

SEPARATE POWER MUST BE USED TO POWER A DOOR STRIKE OR MAGNETIC LOCK.

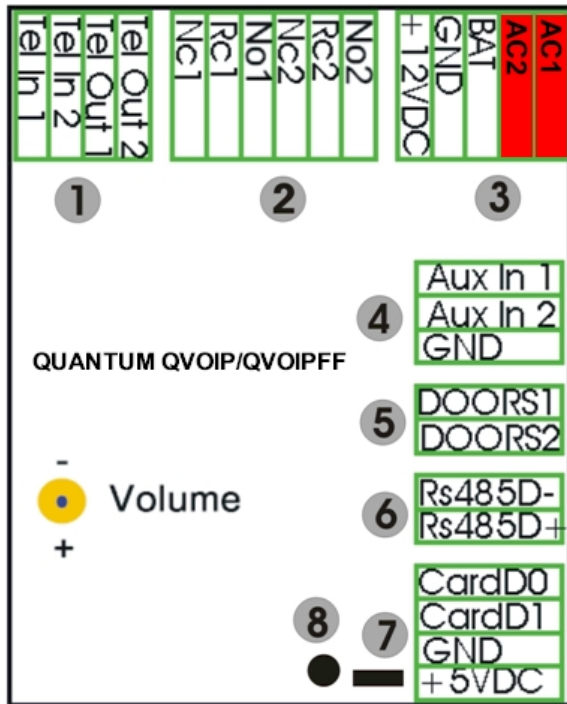


1

9

10

11



- TEL IN 1 and TEL IN 2**
Connect Phone 1 or Phone 2 on VOIP ATA to Tel In1 and Tel In 2. (CAT.5 Two Conductor Wires)
TEL OUT 1 TEL OUT 2
Connect to second QVOIP
- RELAY 1 and RELAY 2 DRY CONTACT**
Use separate power for the door strikes.
(18 Gauge Two Conductor Wires)
- AC1 and AC2 INPUT POWER**
12VAC 40VA
12VDC 2A (not supplied)(16-18 Gauge Two Conductor wires)
BAT and GND
Back-up Battery 12VDC 4Ahr
(16-18 Gauge Two Conductor wires)
+12VDC and GND
Use to power the QWCM IP module ONLY
- AUX IN 1 and GND, AUX IN 2 and GND**
use for postal lock or free exit switch.
See code 20 and 21 to enable

QWCM IP MODULE

9



- DOORS SENSOR**
DOORS1 and GND, DOORS2 and GND. Must have door sensor switch. (20 Gauge Two conductors Wires)
- RS485 PORT**
Communication for slave units up to 8 (USCR, UCRM or USKP). 18 Gauge Two conductors shielded wires.
- 26 BIT WIEGAND INPUT**
26 Bit proprietary Wiegand reader is pre-installed. You must use our UFOB or Card. If different 26 BIT Wiegand reader is used, disconnect the existing card reader
- PROGRAMMING BUTTON**
Press this button to log-in to programming mode without the Master Code. Use Function code 00 to check the current Master Code.
- LAN PORT**
Configured as a switch, connect to the QWCM IP MODULE
- INTERNET PORT**
Connect to a router
- VOIP ATA POWER**
Connect the provided power supply
- EARTH GROUND**
Connect one of the mounting stud to the earth ground.
16 Gauge Solid wire.
- SELECTING VOIP PROVIDER**
Sign-up for the VOIP provider. *Sign-Up for Google Voice is recommended. It is free in the US and Canada for unlimited calls. Rate may be changed without prior notice.*
CALL PACH & CO 1-888-678-7224 TO ACTIVATE THE GOOGLE VOICE

LED Icon	Light Behavior	What It Means
⏻	Off	The OBi is not receiving power.
	Solid Green	The OBi is operational.
	Flashing Green	The OBi is looking for a DHCP IP address.
	Flashing Orange	The OBi is upgrading. Do not unplug power!
⦿	Solid Red	The OBi is non-operational.
	Flashing Green (Intermittent)	Light flashes when there is data activity on the Internet Ethernet port.
LED Icon	Light Behavior	What It Means
1 2	Off	The port is not enabled.
	Solid Green	The phone is ready to be used.
	Flashing Green	The phone is in use.
⦿	Flashing Green (Intermittent)	Light flashes when there is data activity on the LAN Ethernet port.

Technical Support is available

Monday-Friday 7:00 am-4:00 pm PST at 1-888-678-7224

Technical Info is available online www.pach-co.com