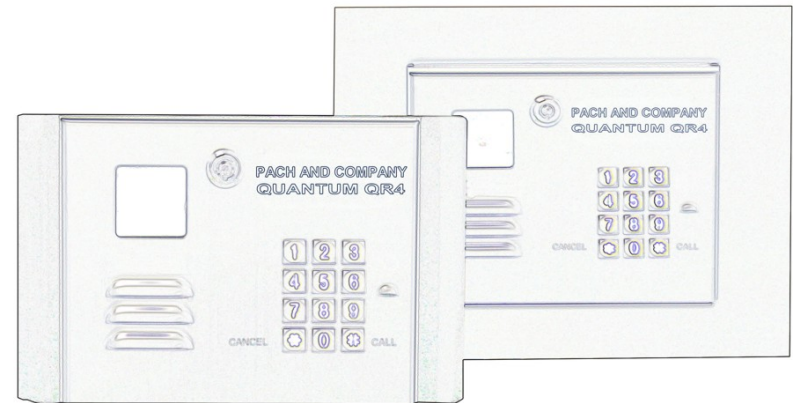


PROGRAMMING FUNCTION CODES TABLE			
*	Exit program, hold for 1 second to hang-up call	76	Delete phone number on 70, 71 and 72
#	Save program or initiate program	87	Disable or enable automatic call forwarding. 0= disable (default), 1= enable
00	Change master code (0000 is default)	88	Select automatic call forwarding 71 or 72
01-20	Add individual access code for relay 1	89	Select automatic call forwarding time 15-90 seconds. Default= 15 seconds.
21-40	Add individual access code for relay 2	90	Manually close or open relay 1. 1= open, 0= close
41-50	Add individual access code for relay 1 & relay 2	91	Manually close or open relay 2. 1= open, 0= close
51	Relay 1 open time interval (01-90 seconds) default 12 seconds	92	Talk time 10-90 seconds. Default= 60 seconds
52	Relay 2 open time interval (01-90 seconds) default 12 seconds	93	Lock-out count 03-09. Default= 03
60	Delete all access codes 01-20	94	Auxiliary input. 0= disable 1= enable control by door open interval function code 51. 2= enable control by auxiliary input.
61	Delete all access codes 21-40	95	Alarm Mode 1= enable 0= disable Default= 10 seconds local alarm. Default= 30 seconds remote
62	Delete all access codes 41-50	96	System answer mode 0= disable, default 1-9= enable 1- 9 rings, when enable no call waiting feature.
65	Delete all access codes	97	Do not disturb mode 0= disable, default 1= enable
70	Direct call forwarding, phone number up to 11-digit.	98	Select initiating premise call key 0= * 1= #, default
71-72	Automatic or manual call forwarding, phone number up to 11-digit	99	Set memory to factory default, then press 1# to confirm.



**Download Complete Installation and Programming Manual at**

[www.pach-co.com](http://www.pach-co.com)

- Missing Parts, contact Pach and Company 1-888-678-7224
- Defective system under manufacturer warranty, call 1-888-678-7224 for advance replacement
- [24 Months warranty](#) for complete system, does not include installation labor
- [6 Months warranty](#) for Printed Circuit Board, does not include installation labor
- Installation and programming manual, download at [www.pach-co.com](http://www.pach-co.com)

**WARNING: DO NOT USE ON BOARD 12VDC and GND TO POWER A DOOR STRIKE OR MAGNETIC LOCK SEPARATE POWER MUST BE USED TO POWER A DOOR STRIKE OR MAGNETIC LOCK.**

Complete manual is available at [www.pach-co.com](http://www.pach-co.com)

Technical support is available Mon-Fri 7:00-4:00PM PST at 1-888-678-7224

## TWO WAYS TO LOG IN TO PROGRAMMING MODE

- Press **0** **#** simultaneously then release, enter the 4-digit master code. Default master code = 0000.  
**A short beep** if the master code is valid  
**A long beep** if the master code is not valid
- Or Press on board round black button then **#** then select the function code from the table

## SYSTEM OPERATION

- TO CALL:** PRESS **#**
- TO GRANT ACCESS TO A VISITOR:** PRESS 9 (RELAY 1) OR PRESS 8 (RELAY 2)
- TO USE ACCESS CODE:** PRESS **\*** THEN PRESS 4-DIGIT ACCESS CODE
- TO ESTABLISH TWO WAYS COMMUNICATION WITH THE SYSTEM FROM THE PREMISE:** PRESS **#** **#**, HEAR BEEP THEN PRESS **\***
- TO ESTABLISH TWO WAYS COMMUNICATION WITH THE SYSTEM FROM REMOTE SITE:** CALL THE SYSTEM PHONE NUMBER, HEAR ONE SHORT BEEP THEN PRESS **\***
- TO EXTEND TALK TIME:** PRESS **#** AFTER THE TIME OUT WARNING BEEP
- TO ENABLE /DISABLE CALL FORWARDING**

**LOCAL: ENABLE:** PRESS **0** **\*** THEN 1 **#** (71) OR 2 **#** (72)  
**DISABLE:** PRESS **0** **\*** THEN 0 **#**

**PREMISE PHONE (see function code 98): ENABLE:** PRESS **#** **#** OR **\*** **\***, ONE SHORT BEEP, THEN PRESS 1 (71) OR 2 (72)

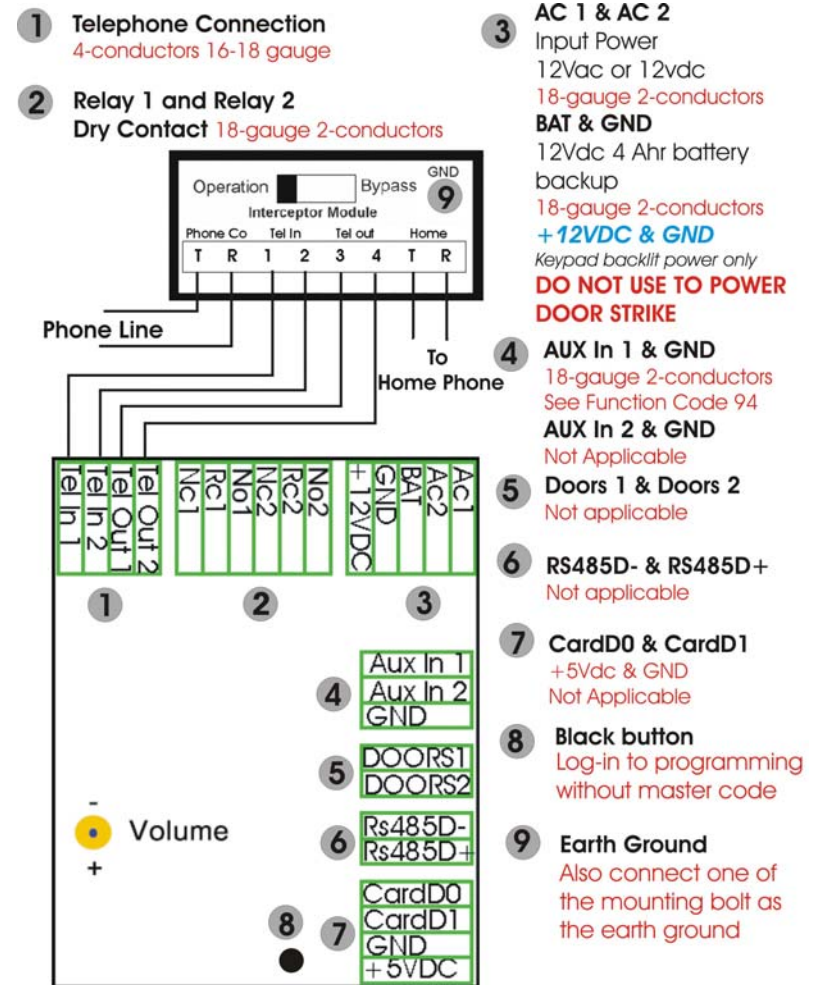
**DISABLE:** PRESS **#** **#** 0

**UNLOCK CYCLE, UNLOCK HOLD, CLOSE DOOR**

**LOCAL:**

- Press **0** **#** simultaneously then release, enter the 4-digit master code.
  - Select 90 or 91, see table, then PRESS **#**
- PREMISE:**
- PRESS **#** **#**, One short beep, then PRESS
- 9 ---- Unlock cycle relay #1 (open and close door)
  - 8 ---- Unlock hold relay #1 (open and hold open door)
  - 7 ---- Lock relay #1 (close door)
  - 5 ---- Unlock cycle relay #2 (open and close door)
  - 4 ---- Unlock hold relay #2 (open and hold open door)
  - 3 ---- Lock relay #2 (close door)

## WIRING DIAGRAM



## INTERCOM WITH ACTIVE PHONE LINE WIRING DIAGRAM

### REMOTELY RELEASING THE DOOR FUNCTION CODE 96 MUST BE SET 1-9 RINGS

CALL THE SYSTEM, YOU MUST KNOW THE SYSTEM'S PHONE NUMBER

PRESS **#** and 4 digit master code. PRESS **\*** then PRESS

- 9 ---- Unlock cycle relay #1 (open and close door1)
- 8 ---- Unlock cycle relay #2 (open and close door 2)

### CALL WAITING, FUNCTION CODE 96 MUST BE SET 1-9 RINGS

Call waiting beep will be heard, Press **0** to transfer between the two calls