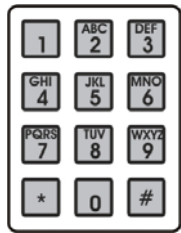


* (star)	Exit program, cancel call	25	Keypad beep 0= disable (default) 1=enable
# (hash)	Save program	26	Door beep 0= disable 1= enable (default)
00	Change master code (0000 is default)	27	Talk time (060-240 second). Default=60 second
01	Add new forwarding tenant's directory	28	Unlock relay1 time (12-99 second). Default=12 second
02	Edit existing tenant's directory	29	Unlock relay2 time (12-99 second). Default=12 second
03	Delete existing tenant's directory	30	Call Forwarding 0= disable 1= enable
04	Clear all forwarding tenant's directory	31	Call forwarding time 05-60 second
05	Call Forwarding	32	Forwarding directory 0-9
06	New access code	33	Temporary code
07	Delete access code	34	Special code
08	Clear all access code	35	Temporary card
09	Access code digit (4-8 digit). Default is 4-digit	36	Special card
10	Add new card	37	Initiate premise call 0=**, 1=## (default)
11	Delete card	38	System acknowledge (0-9). Default= 3
12	Clear all card	39	Remote access 0= disable 1=enable (default)
13	Set time	40	DTMF relay 1 (1-9). Default=9
14	Set date	41	DTMF relay 2 (1-9). Default=8
15	Initializing event recording	42	Relay 2 Mode 1= door control (default) 2= relay 2 trigger simultaneously as relay 1 3= enable if function code 24 is enable 4= turn relay 2 on and off On=7, Off=6
16	AUS= auto unlock schedule (0-9 schedule)	43	DND: do not disturb time zone (0-9)
17	TMZ= time zone. 20 TMZ, 00-20.	44	Disable Time zone relay 1, 2 or both
18	HLD= holiday zone. 20 HLD, 1-20	45	Relay 1 and 2 unlock timer
20	AUXIN1 0= disable (default) 1= enable control by relay 1 open interval 2= relay 1 control by AUXIN1	46	Firmware version
21	AUXIN2 0= disable (default) 1= enable control by relay 2 open interval 2= relay 2 control by AUXIN2	48	PBX enable. Default= disable
22	Do not disturb 0= disable (default), 1= enable		
23	Lock-out Count	49	Edit Access code
24	Alarm 0= disable 1= local beep for 60 seconds 2= disable system for 60 seconds with no beep 3= call directory (0-9)	50	Erase the memory to factory default
		51	Welcome screen

- Missing Parts, contact Pach and Company 1-888-678-7224
- Defective system under manufacturer warranty, call 1-888-678-7224 for advance replacement
- [24 Months warranty](#) for complete system
- [6 Months warranty](#) for Printed Circuit Board



Log on to programming: Press **0** and ***** simultaneously then release, the welcome message will stop scrolling (repeat if screen still scrolls) enter 4-digit "MASTER CODE" (0000 is default), the screen will show:

Select Func: __

Select the "Function Code" from the table

OPERATION

Opening the door remotely press **9** (relay 1) or **8** (relay 2)

Opening the door with the access code press ***** (display screen will stop scrolling) then press a valid 4-digit access code.

Extending talk time tenant must press ***** from the phone after the time out warning beep.

Calling into the system from premise location (Intercom)

1. Press ***** or ***** depending on function code 37, then press ***** to communicate with the person

Calling into the system from remote location:

Enable function code 39

1. Call the system phone number, hear one beep if the system answering the call.
2. Press ***** then 4-digit master code, hear one short beep
3. Press ***** to establish two way communication
4. Press **9** or **8** to release the door.

Call waiting: function code 38 must be set 1-9 and function code 39 can be set either 1 or 0, press **0** on your phone to transfer between calls

See Function Code 37

	Premise	
	Relay 1	Relay 2
Open cycle	##9/**9	##5/**9
Open hold	##8/**8	##4/**4
Close	##7/**7	##3/**3

OPERATION

TO CALL FROM THE SYSTEM

1. INTERCOM MODE PRESS *****
2. CALL FORWARDING MODE, press **3** to scroll name from A-Z or **6** to scroll name from Z-A then press ***** to call name selected.

Opening the door remotely press **9** (relay 1) or **8** (relay 2)

WARNING: DO NOT USE ON BOARD 12VDC and GND TO POWER A DOOR STRIKE OR MAGNETIC LOCK

SEPARATE POWER MUST BE USED TO POWER A DOOR STRIKE OR MAGNETIC LOCK.

- 1 Phone Line (input)**
Telephone dial tone
2 conductors category 5
To Home Phone (output)
16-18 gauge-2 conductors

- 2 Relay 1 and Relay 2 Dry Contact**
18-gauge 2-conductors
Use separate power for the door strike (not supplied)

- 3 AC 1 & AC 2**
Input Power 12Vac or 12vdc
18-gauge 2-conductors

- 3 BAT & GND**
12Vdc 4 Ahr battery backup
18-gauge 2-conductors
+12Vdc & GND (OUTPUT)
Only Use to Power Optional **QWCM** Communication Module

- 4 AUX In 1 & GND**
AUX In 2 & GND
18-gauge 2-conductors
See Function Code 20 and 21.

- 5 Doors 1 & GND**
Doors 2 & GND
Door Sensor
Sensor switch is needed.

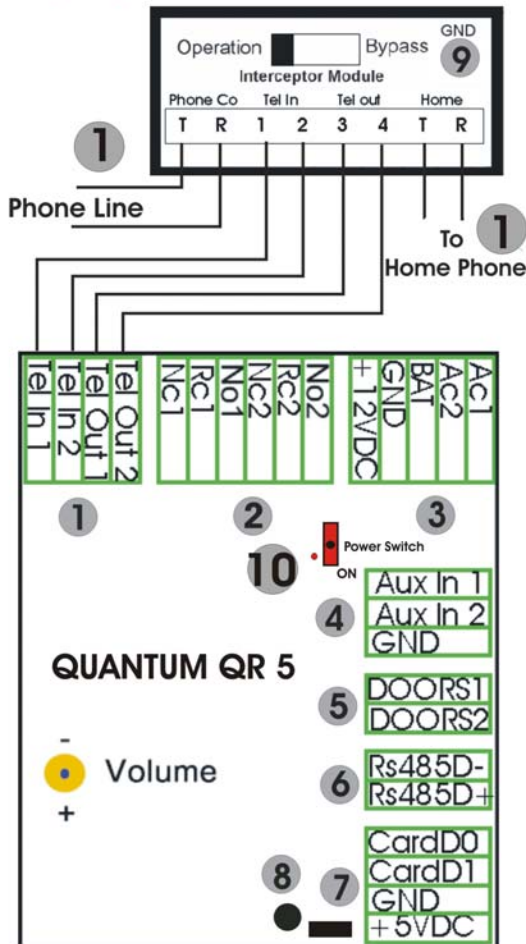
- 6 RS485D- & RS485D+**
Communication port with slave unit
18-gauge 2-conductors, shielded is recommended.

- 7 CardD0 & CardD1 +5Vdc and GND**
26-bit wiegand input
26 bit wiegand reader is included.

- 8 Black button**
Log-in to programming without master code
RS-232 PORT for QWCM

- 9 Earth Ground**
Also connect one of the mounting bolt as the earth ground

- 10 Power ON/OFF**



QR5IP and QR5IPFF DEFAULT IP
IP: 192.168.1.230
SUBNET: 255.255.255.0
GATEWAY: 192.168.1.1
DNS: 192.168.1.1
USERNAME: Administrator
PASSWORD: 8888

Network setup direct connect via Laptop

- Go to Windows Network and sharing center
- Change adapter setting, select the network
- Mouse right click then select properties
- Select TCP/IPv4 then click properties button
- Select " Use the following IP address
 IP address: 192.168.1.25
 Subnet Mask: 255.255.255.0
 Default Gateway: 192.168.1.1