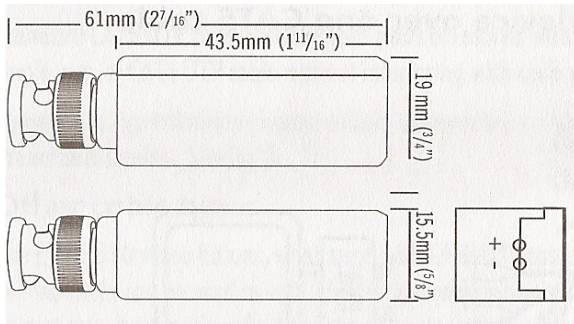


Dimension

Dimension



UVPB

VIDEO BALUN



- Defective system under manufacturer warranty, call 1-888-678-7224 for advance replacement
- [24 Months warranty](#)
Manual is also available for download at www.pach-co.com

Trouble Shooting Guide

Problem	Possible Cause	Possible Solution
Wavy or ghost image if connected to image processor (e.g., multiplexer or DVR), but not if directly to monitor?	a. Strong electromagnetic interference. b. Poor signal, or balun separation is too long. c. Split pairs. d. Crimped cable.	a. Move the cable away from possible sources of interference. b. Install video amplifier between image processor and balun. c. Ensure some twisted pair connects to balun at both ends of cable. d. Replace cable with new cable.
Image background flutters between dark and light.	Interference from external power source.	Remove power source, or adjust monitor's brightness and contrast.
Image is wavy and shakes?	Twisted pair wires reversed.	Try reversing polarity of the 2 wires at one end of cable.
Image is weak or faded?	a. Exceeded recommended balun separation. b. Using lower-grade cable than recommended.	a. Reduce cable length. b. Replace with a higher-grade cable. CAT5 cable meets specifications in the manual. CAT6 cable allows longer range.
No image?	a. Power is off. b. Cable is incorrectly connected. c. Cable was accidentally cut. d. Defective camera or remote video device. e. Defective video balun.	a. Check the power supplies of all devices connected to the cable. b. Double-check that the cable was connected properly. c. Run a continuity test on all wires in the cable. d. Replace the unit with a new unit. e. Replace the unit with a new unit.
Poor image quality when testing using cable on a reel.	Induction from the coiled cable.	Test only with cable laid out in such a way that it is not coiled and does not double back on itself.

Range: 1,950 feet Black and White
1,300 feet color or 1,950 feet B/W
Video Format: RS170, NTSC, PAL, SECAM and CCIR

Maximum Input: 1Vpp

Insertion Loss: <2dB per pair from DC~5 Mhz

Return Loss: >-15dB from DC~5 Mhz

Frequency Response: DC~5 Mhz

Attenuation: DC~5 Mhz, 1.5 db max

Common Mode Rejection: 60 dB, 15 Khz~5 Mhz

Impedance: Coax, Male BNC 75 Ohms @ 1 Mhz

Terminal Block 100 Ohms @ 1 Mhz

Power: No power required

Temperature Range: 14°F~ 165°F

Humidity Range: 0~95%

Wire Type: UTP (Unshielded Twisted Pair)

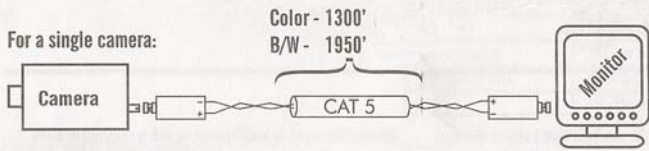
Wire Category: CAT2 or better, CAT5 ideal, CAT6 improves range.

UTP Connection: Screwless Terminal Blocks

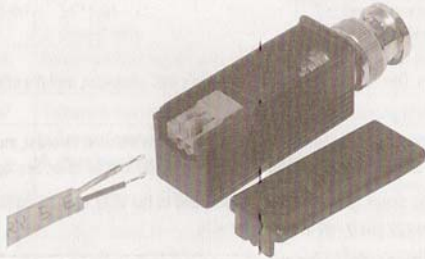
**TECHNICAL SUPPORT IS AVAILABLE
MON-FRI
7:30AM-3:30PM PST AT 1-888-678-7224**

Typical installation of a single pair of video baluns

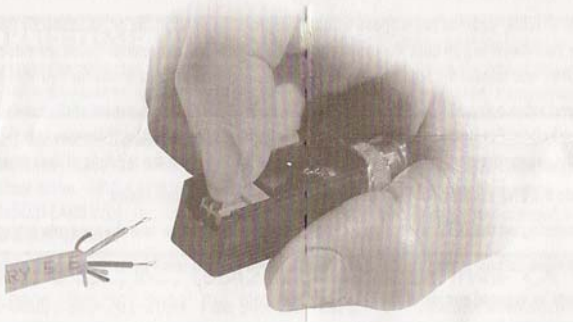
For a single camera:



Inserting wires into video balun direct push into holes



Inserting wires into video balun use finger to pull back blades



Connecting multiple CCTV cameras to a remote device over one CAT5 cable

