

## SPECIFICATIONS

**Power Input:** 12 VAC/DC 40VA UL Listed Transformer (12 VAC is supplied by Pach & Company) or 12 VDC Power Supply (not supplied, power supply output voltage must be 13.5-14.5 VDC).

**Current Consumption:** 350 mA Idle, 475 mA operation.

**Communication:** RS-485 up to 4000 feet.

**Night Light:** Yellow LED Indicator/Green LED Indicator

**Valid/Invalid Access:** Green/Red or Yellow/Red and Buzzer

**Operating Environment:** Temp. 0° - 140° F

**Relative Humidity:** 0% to 95%.

**Relay Output:** From C Dry Contact 120 Vac 10A/ 24 VDC 10 A/ 250 Vac 7A.

**Mounting:** Surface

**The Keypad ONLY support 4-Digit Code**

**Construction:** 16 Gauge Cold Rolled Steel with Brushed Stainless Steel Faceplate.

**Dimension:** 6 6-1/8" (H) x 7-1/16" (W), 1-1/2" (D)

**Shipping Weight:** 5 Lbs.

## OPERATIONS

System's ID number set by the DIP Switch



**DIP SWITCH 123456** is satellite ID number (6 additional ID, not implemented yet)

**DIP SWITCH 78** is Not applicable if the USCR purchased before September 2012 otherwise see table below

S1 DIP SWITCH SETTING			
DIP SWITCH 12345	ID#	DIP SWITCH 12345	ID#
11111	0	11110	16
01111	1	01110	17
10111	2	10110	18
00111	3	00110	19
11011	4	11010	20
01011	5	01010	21
10011	6	10010	22
00011	7	00010	23
11101	8	11100	24
01101	9	01100	25
10101	10	10100	26
00101	11	00100	27
11001	12	11000	28
01001	13	01000	29
10001	14	10000	30
00001	15	00000	31
<b>78</b>	<b>Relay Time</b>		
<b>00</b>	<b>15 second</b>		
<b>01</b>	<b>8 second</b>		
<b>10</b>	<b>12 second</b>		
<b>11</b>	<b>4 second</b>		

**GREEN LED:** Night light indicator

**RED:** Invalid card

**GREEN LED:** Valid card

## USKPR. Satellite Keypad-Card Reader

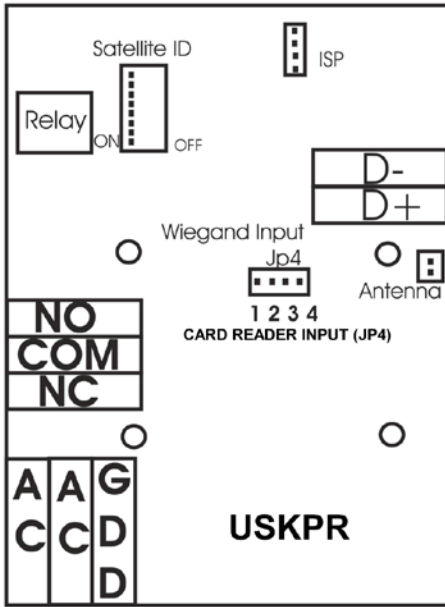


USKPR is 26-Bit Satellite Keypad-Crad Reader. It is compatible with all Quantum Series and AeGIS 9000 Series and AeGIS NPB 9000 Series. The Card Reader is 26-Bit Proprietary Wiegand

- Parts below are included with the USCR
- Missing Parts, contact Pach and Company 1-888-678-7224
- Defective system under manufacturer warranty, call 1-888-678-7224 for advance replacement
- [24 Months warranty](#) for complete system, installation labor does not include on the warranty.
- [6 Months warranty](#) for Printed Circuit Board (USCRPCB). Installation labor does not include on the warranty
- Manual download at [www.pach-co.com](http://www.pach-co.com)

**Maximum of 8 Slave can be connected to the QUANTUM SERIES**

**Maximum of 32 Slave can be connected to the AeGIS SERIES**



**AC-AC** = 12 VAC 40VA or 12VDC 2A  
*2-conductors, 16-18 gauge stranded wires*

**GDD** = Earth Ground  
*1-conductor 14 gauge solid wire*

**D+** and **D-** = RS-485 Communication  
*2-conductors, 18 gauge shielded stranded wires*

**NC, COM, NO** = Dry contact output for door strike, magnetic lock and gate operator  
*2-conductors, 18 gauge shielded stranded wires*

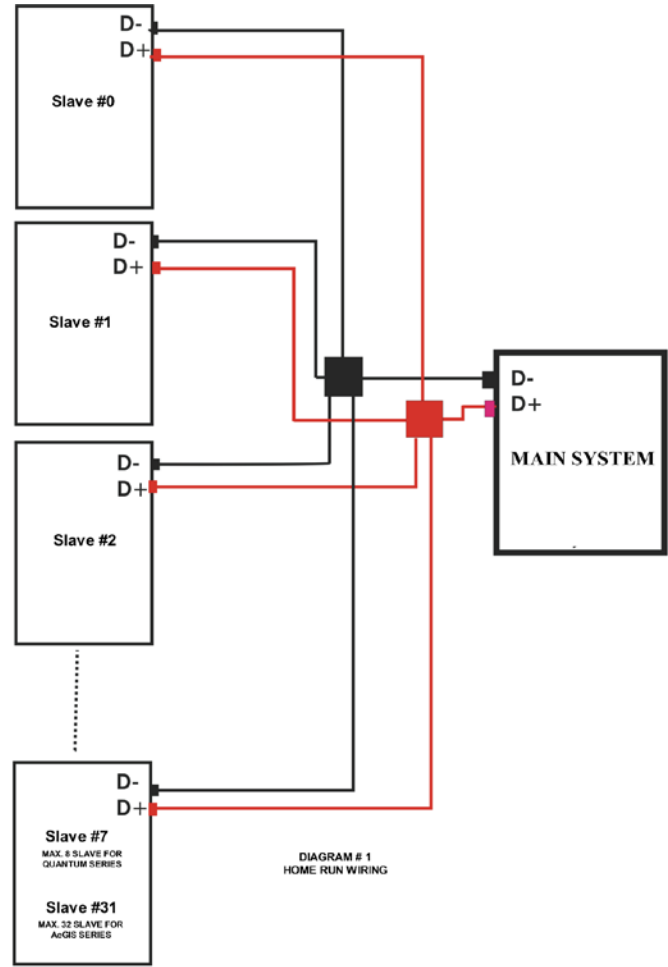


DIAGRAM # 1 HOME RUN WIRING

**OPTIONAL 26-BIT WIEGAND INPUT Jp4**  
*500 feet maximum, 4 conductor 18 gauge stranded wires*

- Pin 1 = 5 VDC
- Pin 2 = GND
- Pin 3 = D1 (Data 1)
- Pin 4 = D0 (Data 0)

**MUST INSTALL SAME READER MANUFACTURER AS THE MAIN SYSTEM. CONNECTOR IS REQUIRED. CONTACT PACH AND COMPANY BEFORE INSTALLING OPTIONAL CARD READER.**

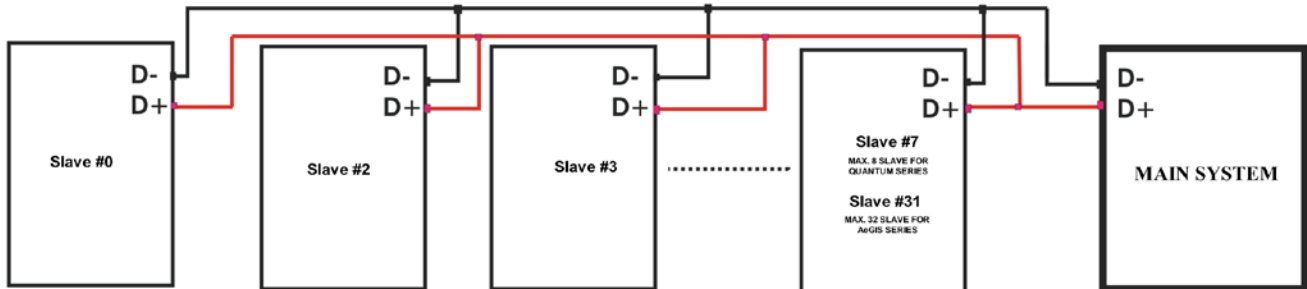


DIAGRAM # 1 DAISY CHAIN WIRING

**PACH AND CO INC.**  
 San Clemente, California

1-888-678-7224  
 949-498-2951  
 www.pach-co.com