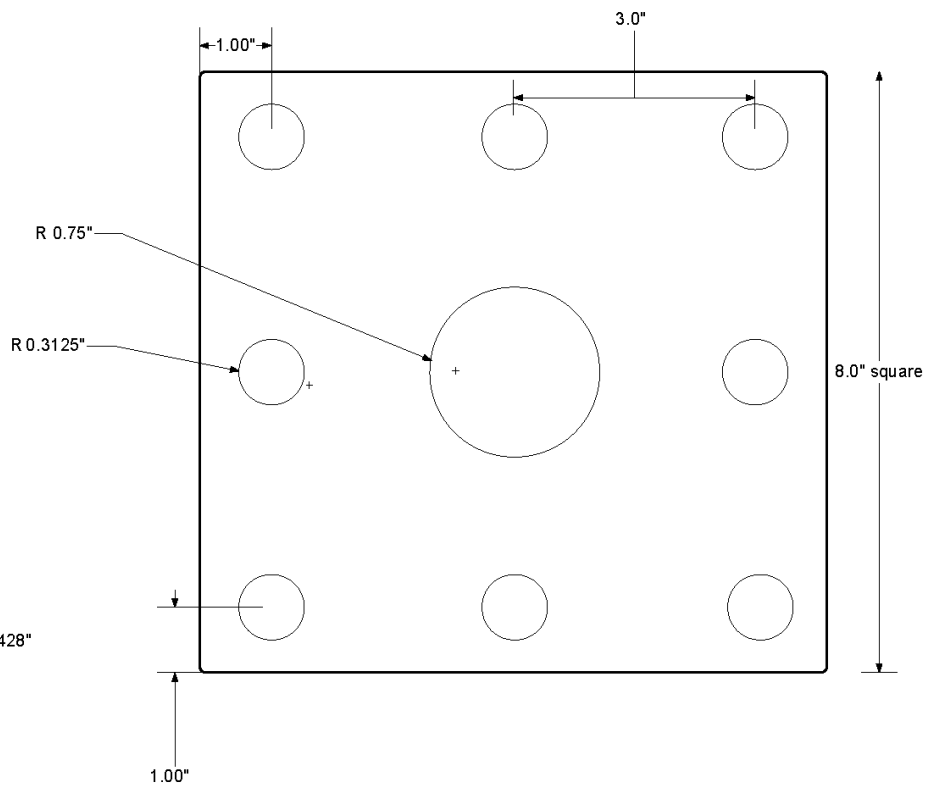
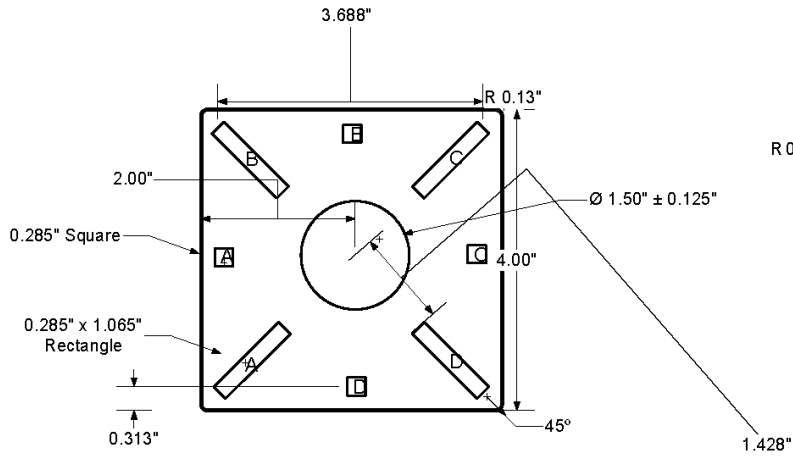


PART NO.: UPM1L 47 INCHES PEDESTAL MOUNTING POST		PACH AND COMPANY INC.			
		SIZE	FSCM NO	DWG NO 1	REV 1.0
SCALE		SHEET		1 OF 1	



PART NO - UPM2 42" LOWER ARM, 72" UPPER ARM DOUBLE VERTICAL PEDESTAL MOUNTING POST		PACH AND COMPANY INC.		
SIZE	FSCMNO	DWG NO	REV	
		1	1.0	
SCALE		SHEET	2 OF 2	